

# Pre-Coiled Cable Nozzle Heaters

## Swaged Compacting Process Enables Optimum Heat Conductivity and High Dielectric Strength

The Watlow® pre-coiled, cable nozzle heater has been formed into a compact, tightly wound coil to supply 360 degrees of heat. This heater features a 5 in. (127 mm) long, no-heat tail section, which eliminates failures in the adapter area due to overheating.

This cable nozzle heater is manufactured with Watlow's swaged compaction process. This process provides a greater compaction of the MgO insulation than the competitor's rolling process. Compacting MgO insulation into a solid mass results in excellent heat conductivity and high dielectric strength.

### Performance Capabilities

- Watt density up to 100 W/in<sup>2</sup> (15.5 W/cm<sup>2</sup>)
- Possible operating temperature up to 1200°F (650°C)  
(Dependent on type of element wire used)
- 230 and 240V constructions

### Features and Benefits

#### Low-profile construction

- Provides easy installation in the tight environment of multiple-gate molds

#### No-heat tail section

- Reduces temperature at the adapter eliminating failures due to overheating

#### Single tail with dual lead

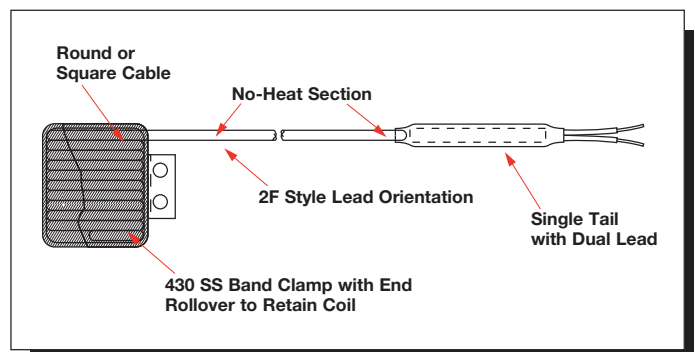
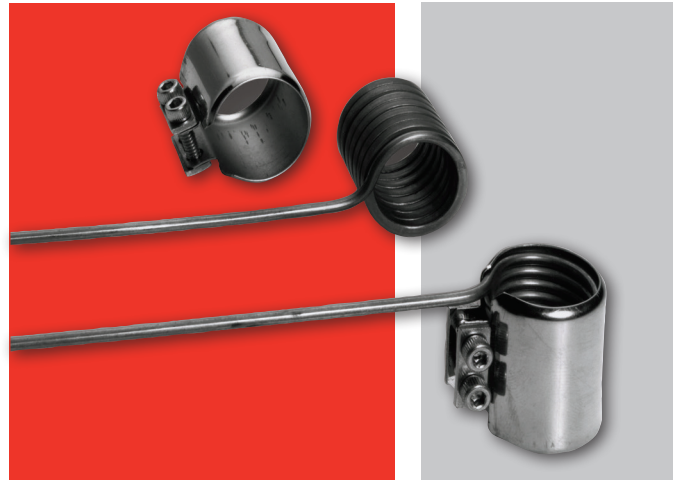
- Occupies less space in the wire raceway

#### 360° circumference heat

- Provides even heating

#### Optional externally welded thermocouple to the sheath

- Provides temperature measurement capabilities

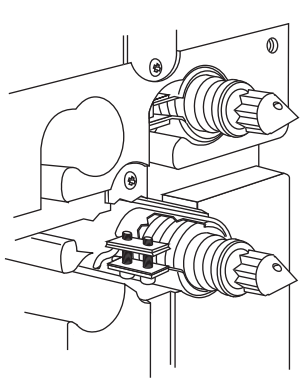


### Typical Applications

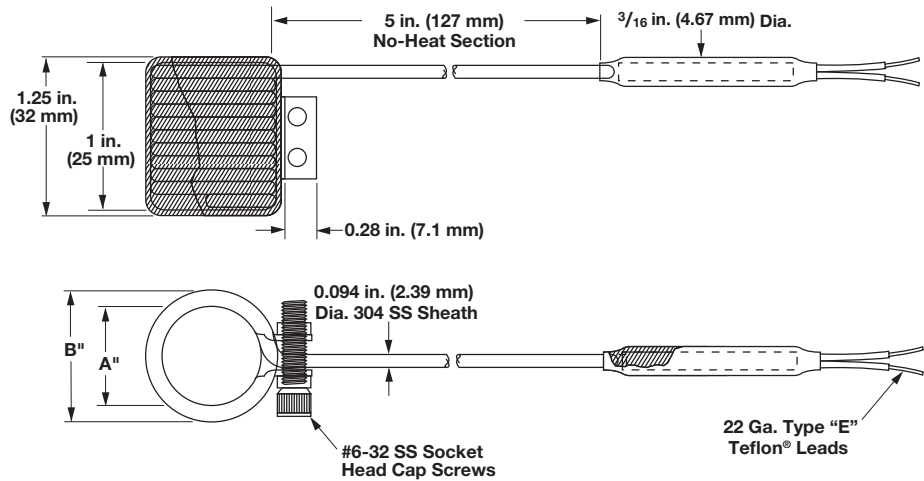
- Plastic injection molding equipment
- Hot runner molds



STL-CNH-0813



Coiled Nozzle Heaters Mounted on a 64 Cavity Plastic Injection Mold



**Cable Heater Units** (Coiled nozzle with clamp strap)

Volts	Watts	Coil I.D. in. (mm)	Clamp O.D. in. (mm)	Clamp Width in. (mm)	No-Heat	Lead Wire (Swaged-in) PTFE Only	Part Number
<b>0.094 in. Diameter Round</b> (with ±5% wattage tolerance), no lead protection available.							
230	125	0.75 (19.0)	0.98 (24.9)	1.25 (32)	5 in. (127 mm) only	36 in. (914 mm)	<b>94PC30A1A</b>
230	125	0.75 (19.0)	0.98 (24.9)	1.25 (32)		72 in. (1829 mm)	<b>94PC30A1D</b>
230	250	0.75 (19.0)	0.98 (24.9)	1.25 (32)		36 in. (914 mm)	<b>94PC30A2A</b>
230	250	0.75 (19.0)	0.98 (24.9)	1.25 (32)		72 in. (1829 mm)	<b>94PC30A2D</b>
230	250	0.75 (19.0)	0.98 (24.9)	1.25 (32)		36 in. (914 mm)	<b>94PC30A4A</b> <sup>①</sup>

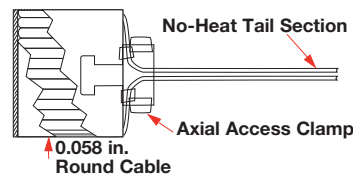
<b>0.102 in. Square Cross-Section</b> (with ±5% wattage tolerance), no lead protection available.							
230	125	0.75 (19.0)	1 (25.0)	1.25 (32)	5 in. (127 mm) only	36 in. (914 mm)	<b>102PS28A2B</b>
230	125	0.75 (19.0)	1 (25.0)	1.25 (32)		72 in. (1829 mm)	<b>102PS28A2A</b>
230	250	0.75 (19.0)	1 (25.0)	1.25 (32)		36 in. (914 mm)	<b>102PS28A1B</b>
230	250	0.75 (19.0)	1 (25.0)	1.25 (32)		72 in. (1829 mm)	<b>102PS28A4A</b> <sup>①</sup>
230	250	0.875 (22.2)	1.12 (28.5)	1.25 (32)		36 in. (914 mm)	<b>102PS32A1A</b>

• Contact your Watlow representative for delivery information.

<sup>①</sup> Units have a 36 in. (914 mm) fiberglass insulated Type J thermocouple externally brazed to the heater sheath O.D.

**0.058 in. Diameter Round Mini-Cable Nozzle Heater**

(Coiled nozzle with axial clamp)  
(with ±5% wattage tolerance)



Coil I.D. in. (mm)	Volts	Watts	Lead Length in. (mm)	Clamp Width in. (mm)	Cable Type	Part No.
0.75 (19)	240	268	72 (1829)	1.25 (32)	Round	<b>Z5969</b>
0.75 (19)	240	149	72 (1829)	1.25 (32)	Round	<b>Z5968</b>

• Contact your Watlow representative for delivery information.

**Note:** An optional Type J or Type K thermocouple can be externally brazed to the sheath O.D.

Watlow® is a registered trademark of Watlow Electric Manufacturing Company.

To be automatically connected to the nearest North American Technical Sales Office:  
**1-800-WATLOW2 • www.watlow.com • inquiry@watlow.com**

International Technical Sales Offices: Australia, +61 3 9335 6449 • China, +86 21 3532 8532 • France, +33 1 41 32 79 70  
Germany, +49 (0) 72 53 / 94 00-0 • India, +91 40 6661 2700 • Italy, +39 024588841 • Japan, +81 3 3518 6630 • Korea, +82 2 2628 5770  
Malaysia, +60 3 8076 8745 • Mexico, +52 442 217 6235 • Singapore, +65 6773 9488 • Spain, +34 91 675 12 92  
Taiwan, +886 7 288 5168 • United Kingdom, +44 (0) 115 964 0777